



Adjustable Kicker

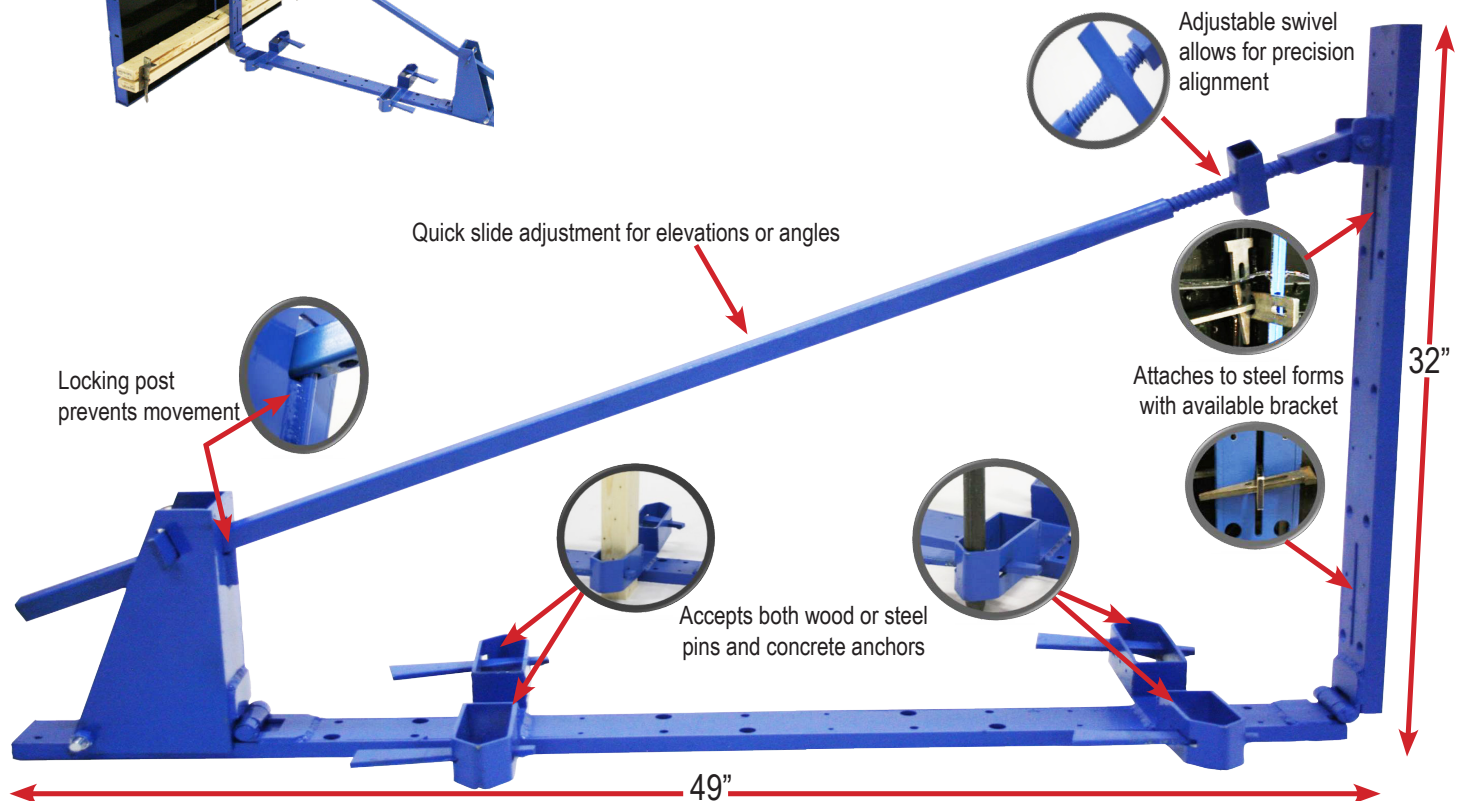
HOLDS OVER 3,000 LBS.

- 32" Tall
- Faster More Efficient
- Zero Waste
- Adjusts to Various Angles
- Precision Alignment
- Incredible Strength
- Return on Investment
- Braces up to 5' of Concrete
- Attaches to all Surfaces
- Wood or Steel forms



Twice as Strong

Compared to wood bracing



800-382-0105 • Tufnlite.com

4805 Hamilton Middletown Road, Ste B • Liberty Township, OH 45011



Adjustable Kicker

Reusable Steel Brace

The Adjustable Kicker is the only steel brace that attaches to wood or steel forms and can be used on dirt, wood, or concrete surfaces. It eliminates the inefficiency of wood bracing resulting in higher profits. The quick adjustability allows for a faster, straighter wall line with zero waste, increasing production between 30%-60%. With three standard and custom sizes available, it can withstand up to a 2 ft. pour. When the job is completed, it detaches and folds down for the next application.

Adjustment Positions

The Adjustable Kicker will adjust to various surface angels and establish required height elevations.

Straighter Edges

The precision of the Adjustable Kicker allows for straighter edges with less work than wood bracing.

ANCHORS TO ALL SURFACES

Efficiency

To increase production in repetitive forming, simply leave the Adjustable Kicker attached to the forms and move from pour to pour.

Angled & Batter Forms

The Adjustable Kicker can adjust to specific degrees of angles.

Bridge Decks

Bridge decks and beam edges can be quickly set by anchoring the Adjustable Kicker into the plywood or concrete and aligning the form to position. Long radius or straight forms can be established faster by simply moving the form to its location and locking the handle into place. By using no lumber bracing, the Adjustable Kicker allows for a safer, cleaner work environment.

Steel Forms

With an available bracket, the Adjustable Kicker quickly attaches to steel-ply and curb forms. This capability allows contractors to brace and align the forms properly to the specific heights and locations on any surface making a difficult job easy.

Slabs on Grade

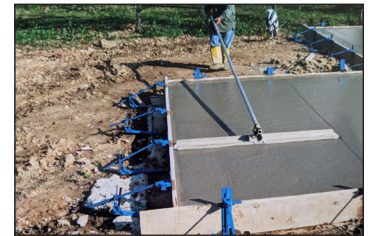
The Adjustable Kicker's versatility allows contractors to increase performance in a wide variety of applications. From paving to residential developments, large projects demand high production. Angled or plumb walls on earth or concrete surfaces can be achieved with zero waste.

Monolithic Pours

Contractors can suspend their forms over open footing by using the middle and rear stake pockets to anchor the Adjustable Kicker to the ground. This process allows for quick set up for one of the most time consuming jobs.

Stadiums

When forming step risers, simply attach the Adjustable Kickers to the forms, connect long sections of forms together and move them from step to step with the Kickers still attached. By using this highly productive system, thousands of feet of form can be set by hand in one work day eliminating the costs of a crane and bulky gang-forms. The height and form alignment achieves precise edges.



CONCRETE THICKNESS	SURFACES			
	PLYWOOD	EARTH	CONCRETE	ASPHALT
8"-11"	36"-42"	36"-42"	36"-42"	36"-42"
12"-17"	30"-36"	30"	30"-36"	30"-36"
18"-24"	24"-30"	24"	24"-30"	24"-30"
<i>DISTANCE BETWEEN EACH KICKER</i>				
SUBJECT TO ADEQUATE SUBGRADE				

800-382-0105 • Tufnlite.com

4805 Hamilton Middletown Road, Ste B • Liberty Township, OH 45011